

CG-7515

CalGym-Dual Inner/Outer Thigh

Specifications:

- Unique combo design allows both abduction and adduction exercises to be performed.
- Swivel thigh pads offer quick exercise set up.
- Chrome plated adjustment cam with multiple pre-stretch positions offer custom range of motion settings.
- Color coded quick select pop pin allows easy exercise change over.
- 11-gauge round steel pivot arms rotate on 1" solid steel pivot shafts.
- Dual rubber encased foot supports fit various size users.
- Reverse seat design offers privacy while performing exercise, and makes weight selection convenient.
- 2" x 4" 11-gauge oval steel main frame.
- USA made 2200 lb. test nylon coated 7 x 19 strand 3/16" cable for maximum strength and flexibility.
- 3/4" solid steel guide rods with hard chrome finish.
- Built in handles provide additional support.
- "Off the floor" frame design maximizes stability and eases cleaning around machine.
- Rubber stabilizer feet help prevent skid damage to floors and machine.
- 150 lb. steel weight stack.

Warranty*

- **TEN (10) YEARS:** Structural main frames, welds, cams and weight plates.
- **FIVE (5) YEARS:** Pivot bearings, pulleys, bushings, guide rods and gas shocks.
- **ONE (1) YEAR:** Linear bearings and pull-pin components.
- **SIX (6) MONTHS:** Upholstery, cables finish and rubber grips.

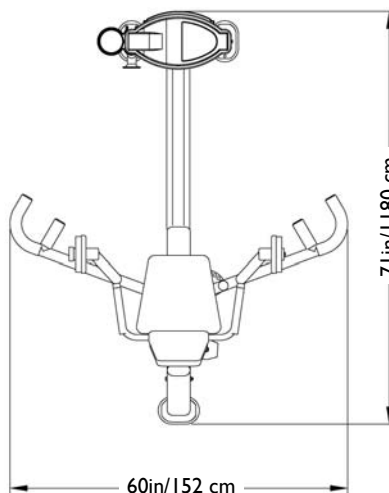
ALL OTHER PARTS, not mentioned, one year from date of delivery to the original purchaser. * See Owner's Manual for details.

If you like this, you may also like:

CG-7516 Leg Press
CG-7514 Dual Leg Extension/ Curl



CG-7515 pictured in standard colors: Platinum Sparkle /Charcoal accents and Black upholstery



Ht: 59in/150 cm
Wt: 396 lb/180 kg
Shpg Wt: 511 lb/232 kg



TuffStuff Fitness Equipment Inc.

13971 Norton Avenue, Chino CA 91710, USA

PH: 909-629-1600 FX: 909-629-4967

info@tuffstuff.net www.tuffstufffitness.com

©2012 TuffStuff Fitness

NOTICE: TuffStuff continually engages in research related to product improvement. As a result, the product received by the customer may differ slightly from its published description. Improvements in materials, production techniques and design refinements may at any time be introduced into our products. TuffStuff reserves the right to make changes in its product without notice.