

PT300

PT400

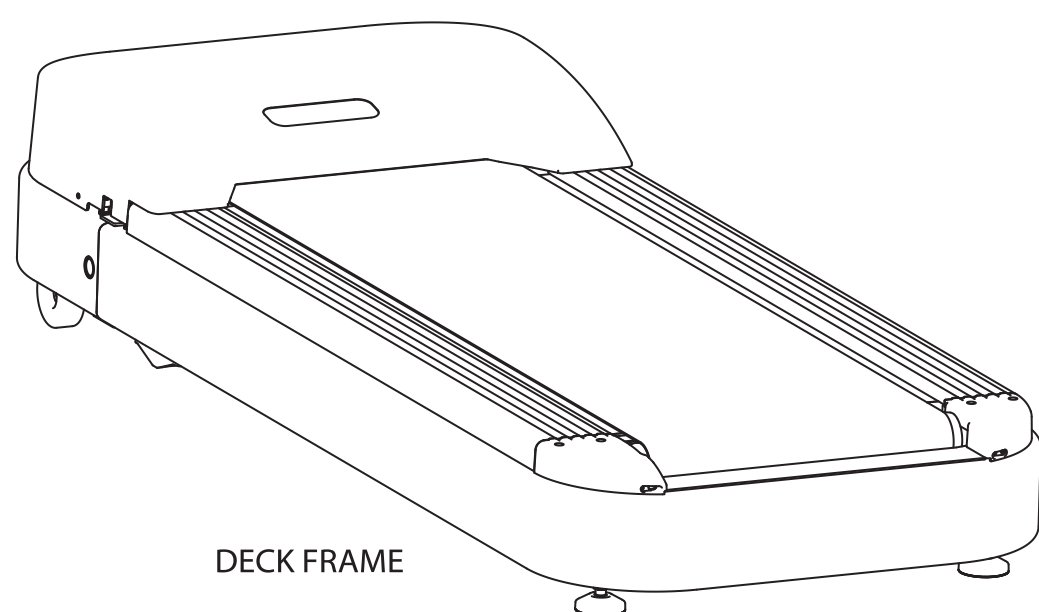
Treadmill

# Assembly Guide

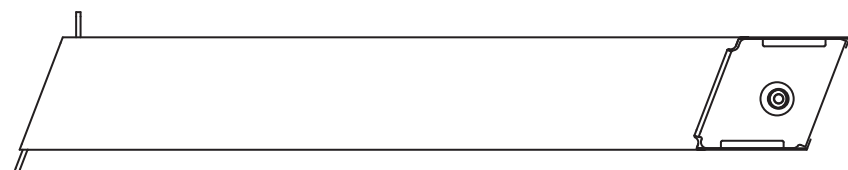


**! CAUTION**  
Read all precautions  
and instructions in this manual  
before using this equipment  
110V and 220V 11Q Rev B

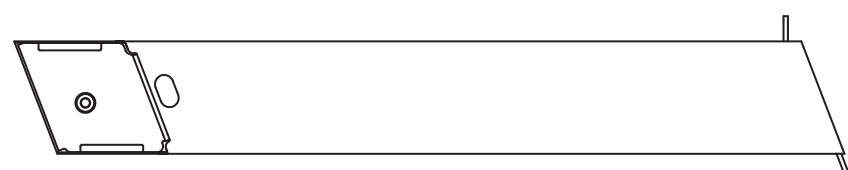
## Subassembly Parts List



DECK FRAME



LEFT UPRIGHT



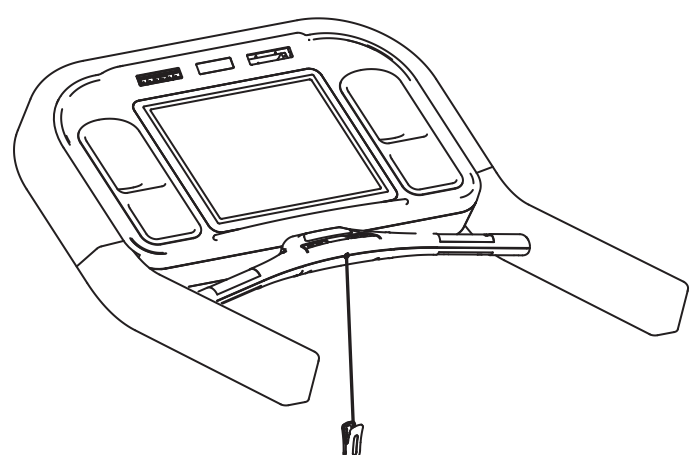
RIGHT UPRIGHT



HARD WARE

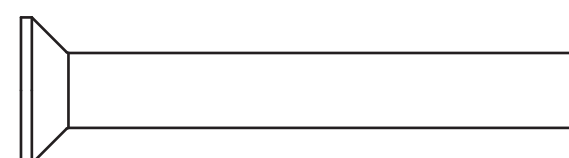


OWNER'S MANUAL

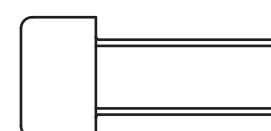


CONSOLE

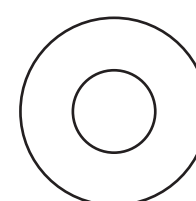
## Hardware List



two M10\*75 Flat Head Cap Screw (#81)



eight M10\*25 Scohet Head Cap Screw (#53)



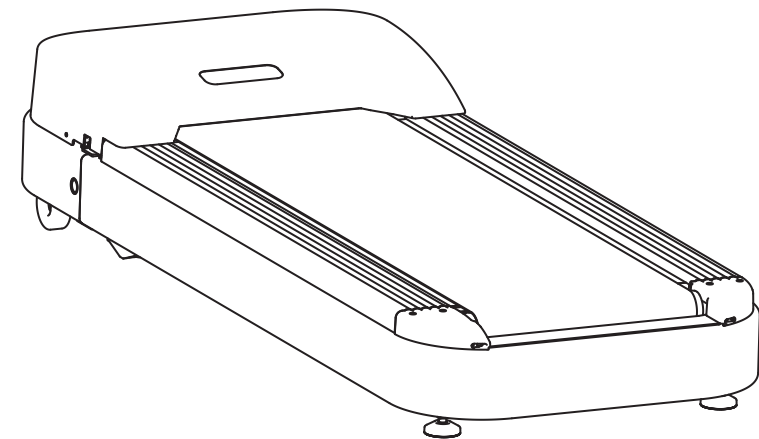
eight  $\Phi 11 * \Phi 23 * 2$  Washer (#69)



eight  $\Phi 10$  Spring Washer (#83)

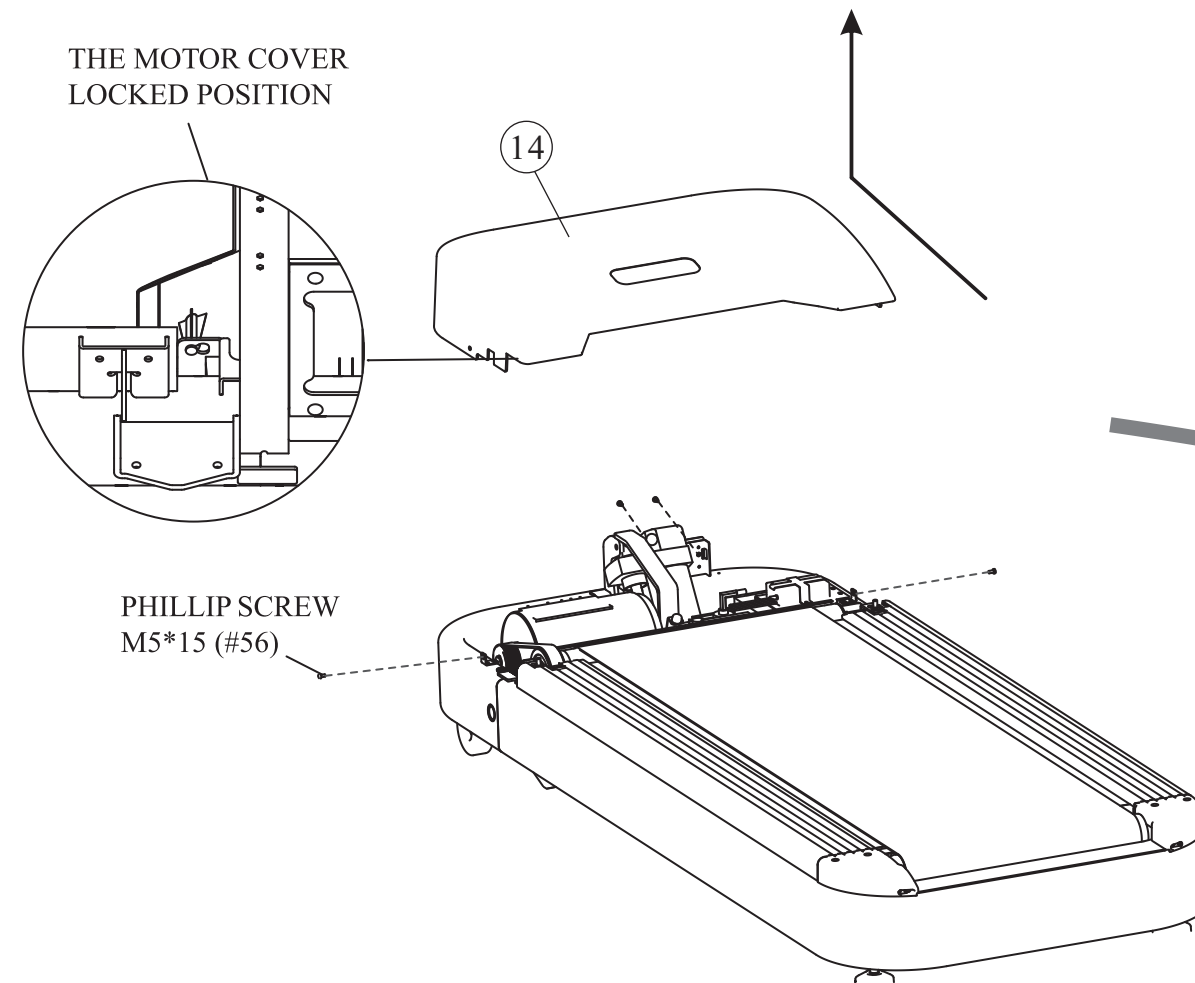
### Step 1

Open the box and take all the things out of it, then move the main frame to a level assembly place.



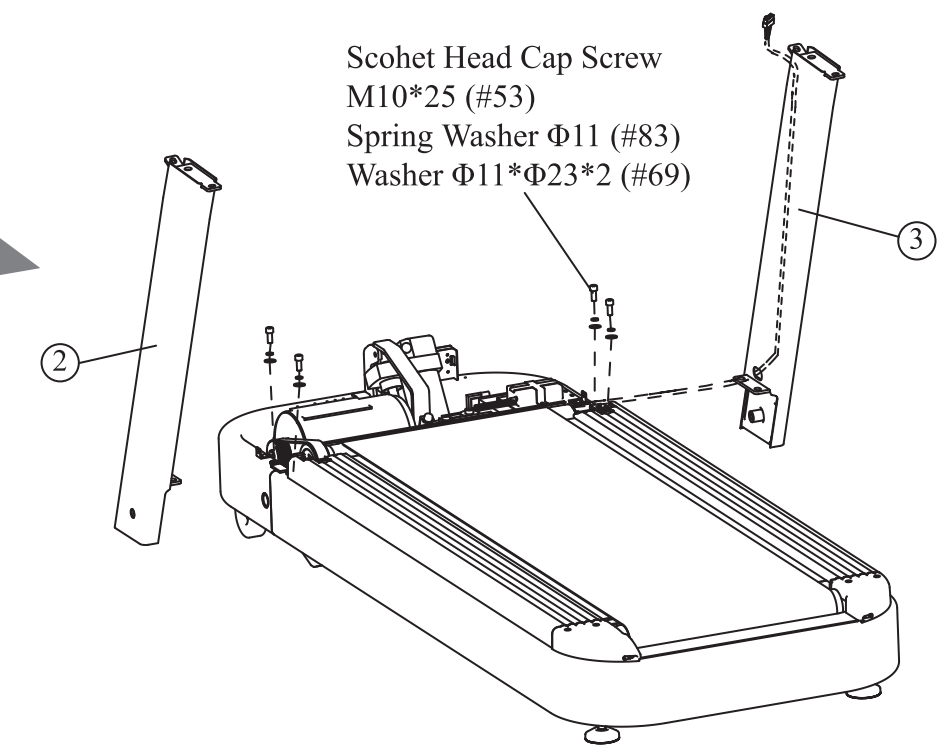
### Step 2

Remove the motor cover (#14) by using: four M5\*15 Phillip Screws(#56)  
**NOTE:** Because the motor cover have been locked on the DECK FRAME (#4). You need to open it according to the indicating arrow in the figure when you remove it.



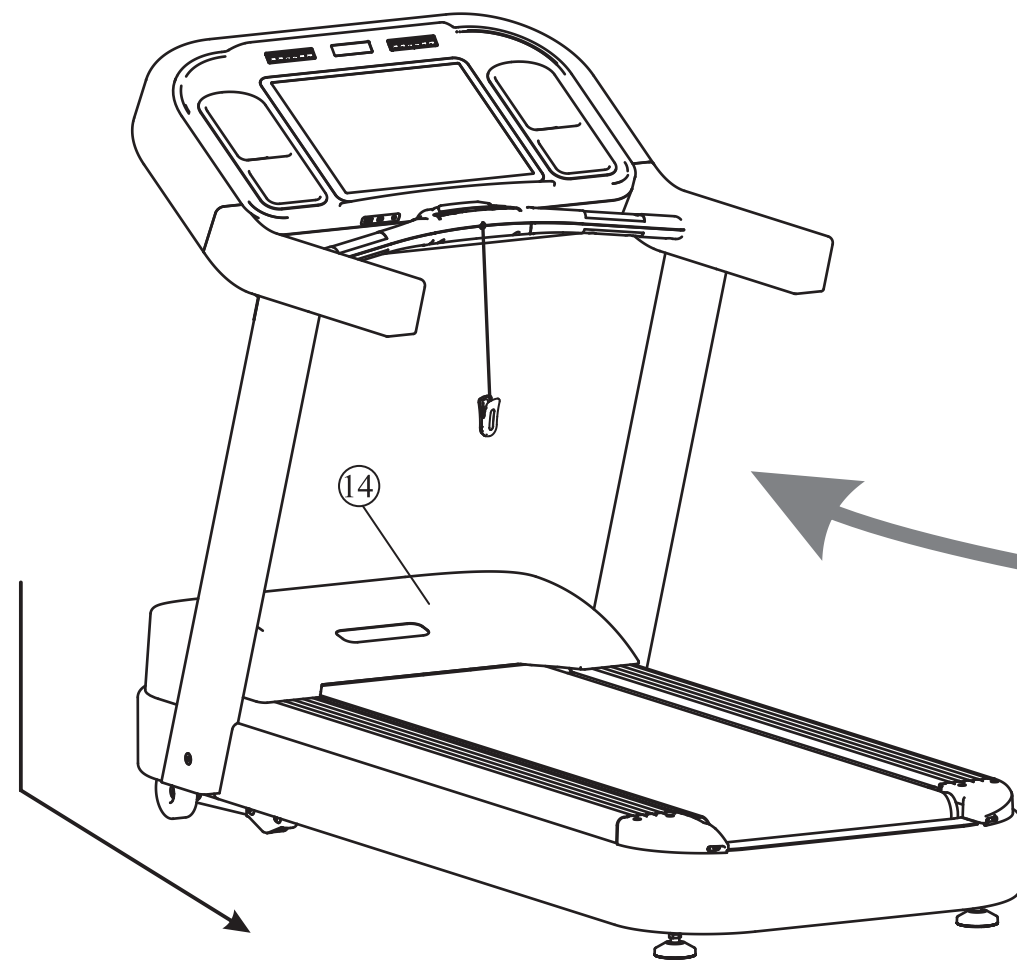
### Step 3

Attach the left upright (#2) and the right upright (#3) to the main frame using:  
four M10\*25 Socket Head Cap Screw (#53)  
four  $\Phi 11*\Phi 23*2$  Washer (#69)  
four  $\Phi 10$  Spring Washer (#83)  
**NOTE:** BEFORE YOU DO THIS STEP, PLEASE PUT THE CONSOLE WIRE DOWN (#154) THROUGH THE RIGHT UPRIGHT.



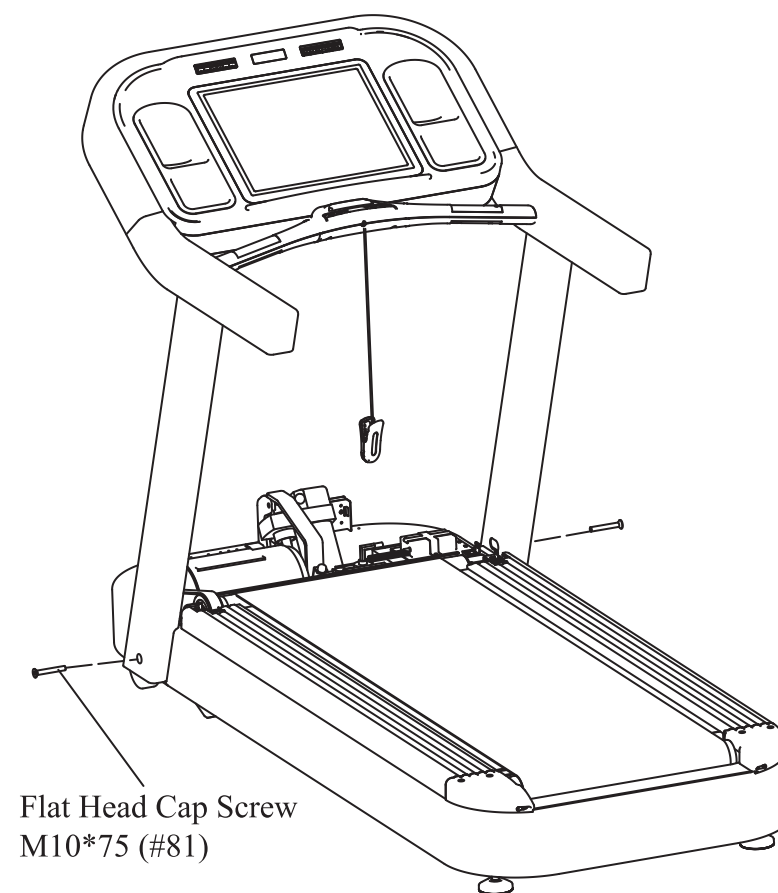
### Step 6

Reinstall the motor cover (#14) according to the indicating arrow. using:  
four M5\*15 phillip screws(#56)



### Step 5

Install two M10\*75 Flat Head Cap Screw (#81).  
Tighten four M10\*25 Socket Head Cap Screw (#53).  
Using:  
two M10\*75 Flat Head Cap Screw (#81)



### Step 4

Fix the console assemble onto the uprights using:  
four M10\*25 Socket Head Cap Screw (#53)  
four  $\Phi 11*\Phi 23*2$  Washer (#69)  
four  $\Phi 10$  Spring Washer (#83)  
Link the console wire up (#141) to the console wire down (#154).  
**NOTE:** DON'T DAMAGE TO THE CONSOLE LINK WIRE WHEN INSTALL THE CONSOLE ASSEMBLY.

